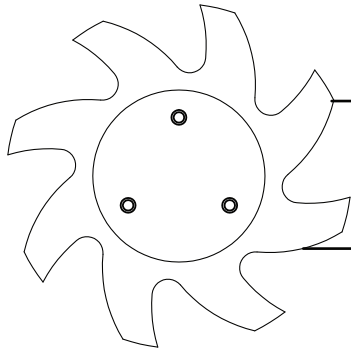


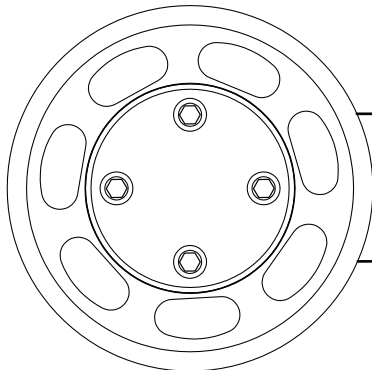


# FM Pulley Diameters

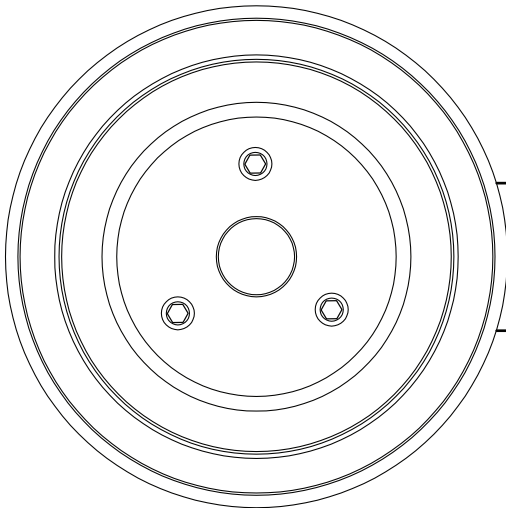
Small & Big Block Chevrolet



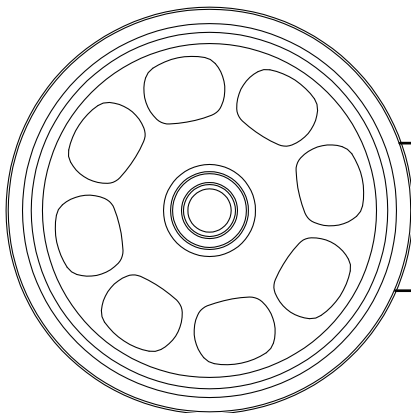
Alternator Pulley  
2.375" Dia.



Water Pump Pulley  
5.125" Dia.



Crank Pulley  
6.75" Dia.



Power Steering Pulley  
5.75" Dia.