

77930/BLK77930 Bolt-On Reservoir

Dimensions;

Tru Trac with Bolt-On Reservoir

Small Block Chevrolet

A = 11.625"

B = 5.25"

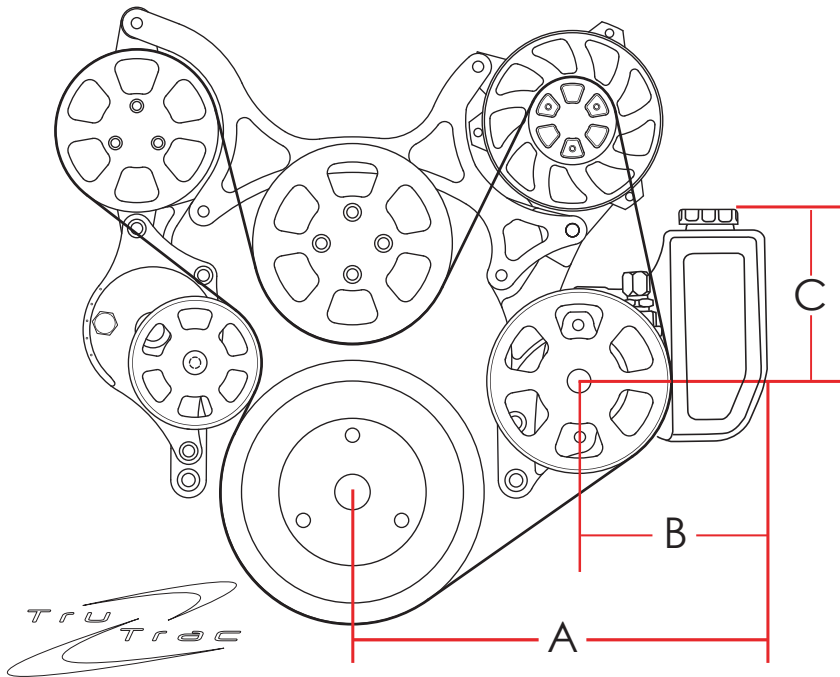
C = 5.25"

Big Block Chevrolet

A = 12.125"

B = 5.25"

C = 5.25"



V Trac with Bolt-On Reservoir

Small Block Chevrolet

A = 11.625"

B = 5.25"

C = 5.25"

Big Block Chevrolet

A = 12.125"

B = 5.25"

C = 5.25"

