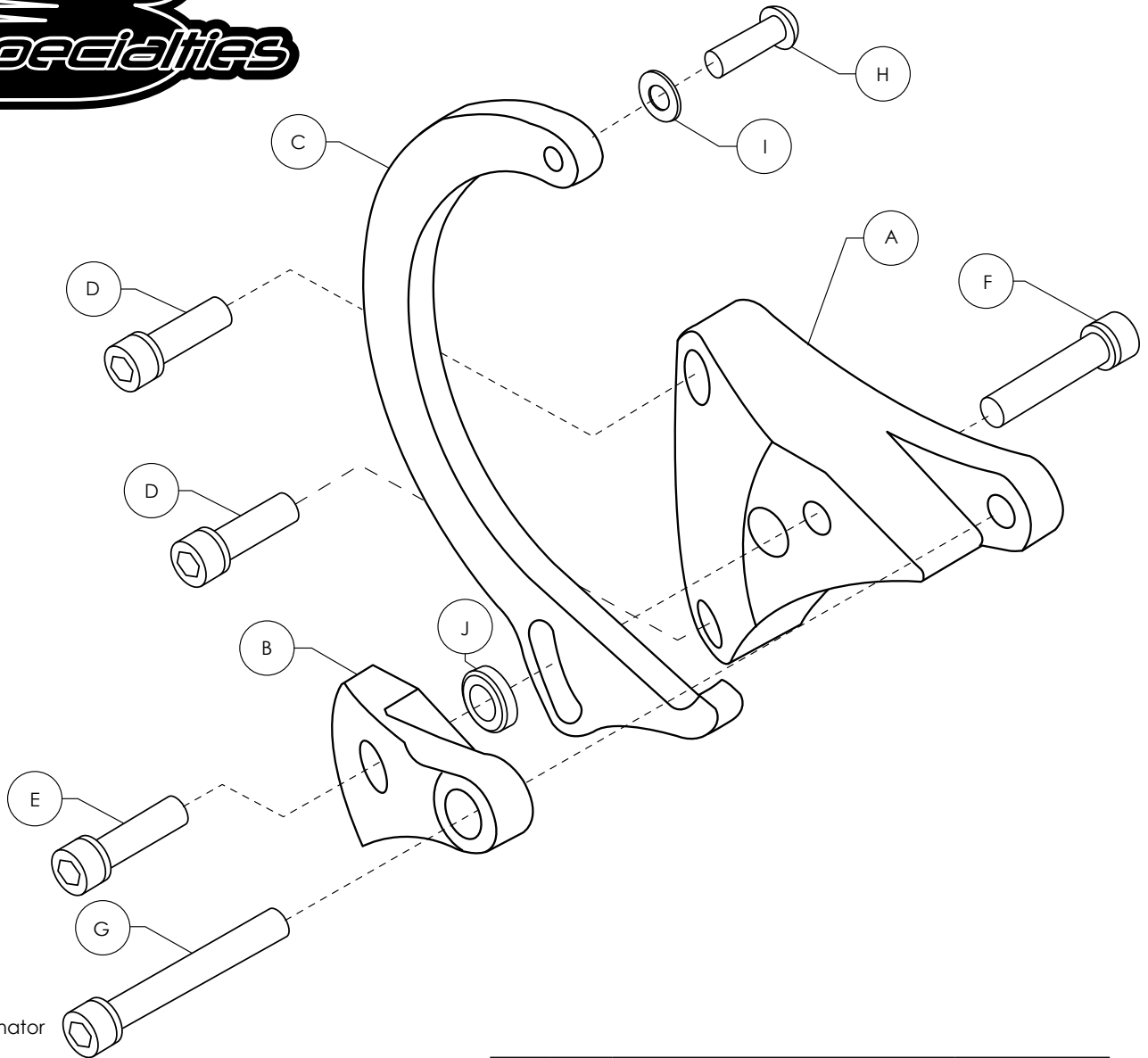




## #10620 Alternator Bracket Mount Instructions Side Mount - Driver Side



For use with:

- Chevy big block
- Short water pump
- GM 60 to 80 amp alternator

1. Use Loctite® removable threadlocker 242 (blue) on all fasteners.
2. Bolt alternator back bracket [A] to alternator front bracket [B] using the 3/8-16 x 1-1/2" SHCS [F] and tighten.
3. Bolt alternator back bracket [A] and alternator front bracket [B] to the outer holes on the driver's side head using the two 3/8-16 x 1" SHCS [D] and tighten.
4. Install load washer [J] into counter bore on inside of bracket [B].
5. Bolt alternator adjustment arm [C] to backside of alternator top boss using the 5/16-18 x 1" BHCS [H] and stainless flat washer [I]. Be sure and hook adjustment arm under alternator lower pivot boss and tighten.
6. Bolt alternator with adjustment arm to bracket [A-B] using the 3/8-16 x 2-3/4" SHCS [G], do not fully tighten.
7. Install the 3/8-16 x 1-1/4" SHCS [E] into bracket [A-B], do not fully tighten.
8. Install alternator belt on rear groove when using 2-groove pulleys.
  - Goodyear: #15556 Gates: #7550XL Belt: 7/16" x 55"
9. Apply tension on alternator belt and tighten the 3/8-16 x 1-1/4" SHCS [E] & 3/8-16 x 2-3/4" SHCS [G].

### BILL OF MATERIALS

ITEM	QTY.	DESCRIPTION	SIZE
A	1	Alternator Back Bracket	
B	1	Alternator Front Bracket	
C	1	Alternator Adjustment Arm	
D	2	3/8"-16 Socket Head Cap Screw	1"
E	1	3/8"-16 Socket Head Cap Screw	1-1/4"
F	1	3/8"-16 Socket Head Cap Screw	1-1/2"
G	1	3/8"-16 Socket Head Cap Screw	2-3/4"
H	1	5/16"-18 Button Head Cap Screw	1"
I	1	Stainless Flat Washer	9/16" x 060"
J	1	Stainless Load Washer	3/4" x 3/16"